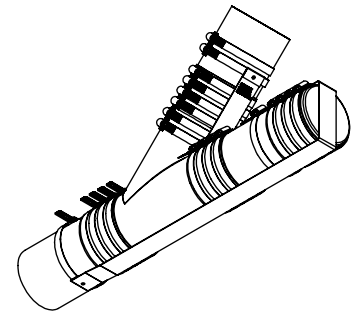
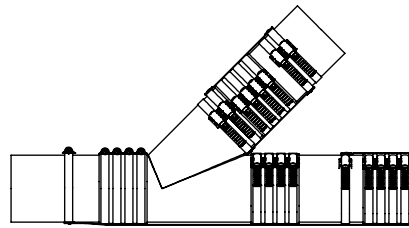
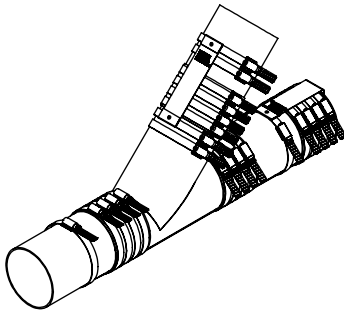


### Wye Version



## NO-HUB CAST IRON FITTING RESTRAINT #117-CE SERIES (2" – 8" Sizes)

THE HOLDRITE® #117-CE SERIES RESTRAINT KIT PROVIDES SUPPORT FOR NO-HUB FITTING JOINTS IN HIGH THRUST CONDITIONS. (#117-3CE through -8X6CE). USED FOR COMBOS OR WYES AT THE END OF THE PIPELINE.

THIS INFORMATION IS PROPRIETARY TO HOLDRITE AND IS SUBJECT TO CHANGE WITHOUT NOTICE. IT MAY NOT BE REPRODUCED IN PART OR WHOLE WITHOUT WRITTEN AUTHORIZATION.

# **HOLDRITE®**

CONVERTING MAKESHIFT METHODS INTO ENGINEERED SOLUTIONS®

800-321-0316 OR 760-744-6944 / FAX: 760-744-0507 / WWW.HOLDRITE.COM  
50-005572-000, RevB (No-Hub Cast Iron Fitting Restraint #117-CE Series)